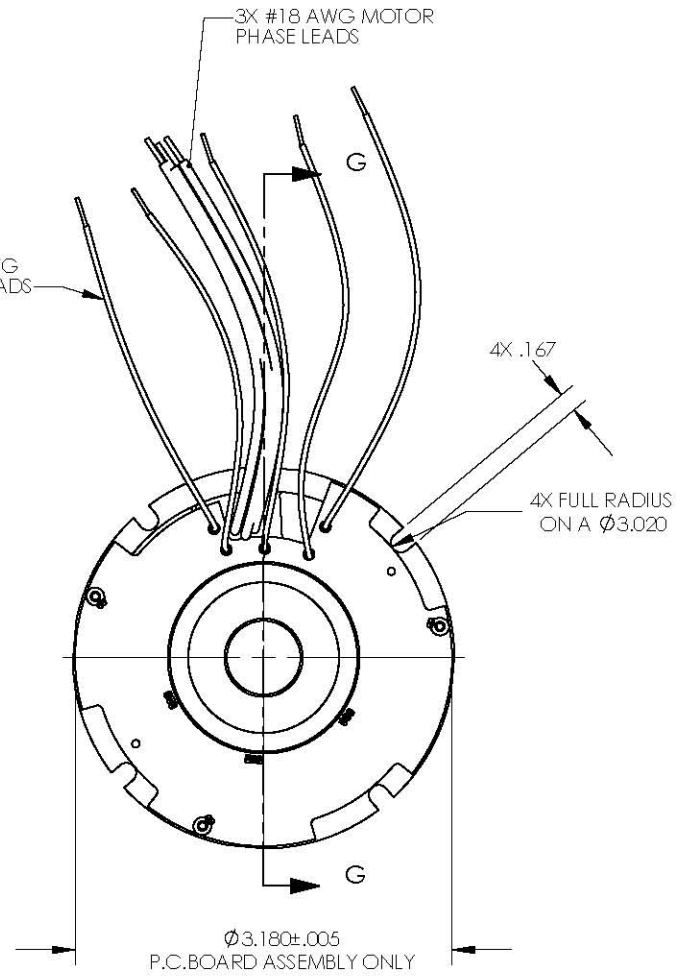
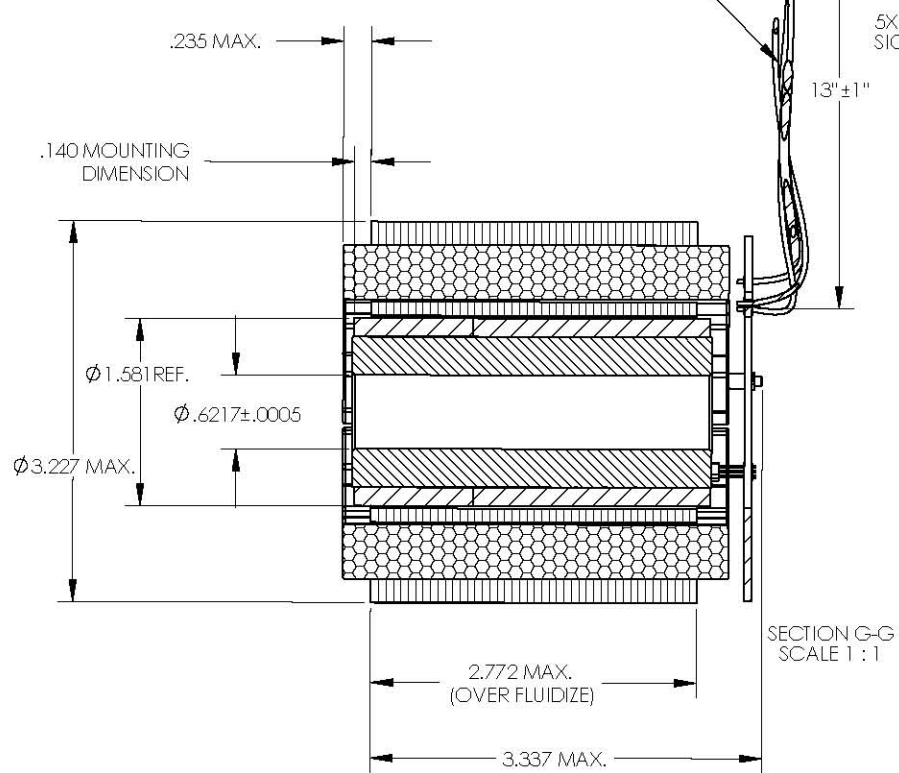


THIS DRAWING CONTAINS INFORMATION PROPRIETARY TO NORTROP GRUMMAN
LITTON POLY-SCIENTIFIC. ANY REPRODUCTION OR USE OF THIS
DRAWING IS EXPRESSLY PROHIBITED EXCEPT AS NORTROP GRUMMAN, LITTON
POLY-SCIENTIFIC MAY OTHERWISE AGREE IN WRITING

REVISIONS				
ZONE	REV.	DESCRIPTION	DATE	APPROVED
	A	NEW DRAWING		

LABEL TO BE APPLIED
OVER LEADS AND
PRINTED AS FOLLOWS:

"POLY-SCIENTIFIC"
UNIT TYPE
DATE CODE



NOTES: UNLESS OTHERWISE SPECIFIED

1. INTERPRET DRAWING PER ANSI Y14.5.
2. OPEN COLLECTOR OUTPUTS. USE PULL-UP RESISTORS BETWEEN V_{CC} AND OUTPUTS.
3. DIRECTION OF ROTOR ROTATION: CW WHEN VIEWED FROM P.C.B. ASSEMBLY SIDE
4. MAXIMUM WINDING TEMPERATURE OF 155°C.
5. INSIDE DIAMETER OF ROTOR TO BE MOUNTED CONCENTRIC TO THE STATOR O.D. WITHIN Ø.005 AND WITHIN THE AXIAL MOUNTING DIMENSION AS SHOWN.
6. RECOMMENDED MOUNTING Ø3.229±.001.

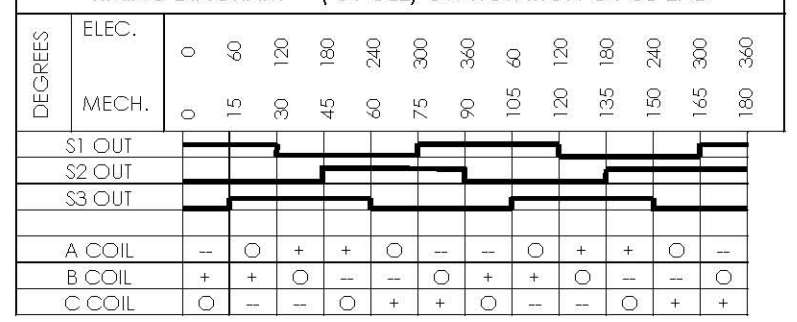
ITEM IS MANUFACTURED AND SHIPPED AS AN ASSEMBLY KIT,
WHEN ORDERING A KIT OR SEPARATE ROTOR AND STATOR
PARTS, ORDER PART NUMBERS AS SHOWN

KIT PART NO.	STATOR ASSY	ROTOR ASSY
BN34-45ZP-01LH	F380129-007	F320356-003
BN34-45ZP-02LH	F380129-008	F320356-003
BN34-45ZP-03LH	F380129-009	F320356-003

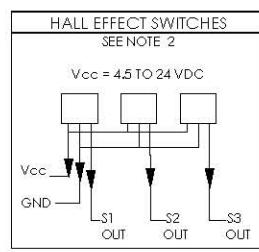
MOTOR TERMINATION
TABLE

WIRE COLOR	CONNECTION
YELLOW	V _{CC}
GREY	GND
RED	A COIL
BLACK	B COIL
GREEN	C COIL
BLUE	S2 OUT
BROWN	S1 OUT
ORANGE	S3 OUT

TIMING DIAGRAM (8 POLE) CW ROTATION @ PCB END



PERFORMANCE AT 25°C						
PERFORMANCE	SYMBOL	UNITS	TOLERANCE	VALUE		
				-01	-02	-03
TERMINAL VOLTAGE	V	VOLTS DC	NOMINAL	24	50	100
PEAK TORQUE	T _P	OZ-IN	MAXIMUM	1006	1006	1070
TORQUE SENSITIVITY	K _T	OZ-IN/AMP	±10%	7.76	12.42	27.7
BACK EMF CONSTANT	K _E	VOLTS/1000RPM	±10%	5.74	9.18	20.5
TERMINAL RESISTANCE	R _M	OHMS	±12%	0.062	.141	.552
TERMINAL INDUCTANCE	L _M	MILLIHENRIES	±30%	0.17	.43	1.799
MOTOR CONSTANT	K _M	OZ-IN/√W ATTS	NOMINAL	31.2	33.1	37.3



UNLESS OTHERWISE SPECIFIED
DIMENSIONS ARE IN INCHES

TOLERANCES ARE:
DECIMALS .XX ±.010 .XXX ±.005 .XXXX ±.0005
ANGLES TO 30° FRACTIONS 1/64

CAD GENERATED DRAWING,
DO NOT MANUALLY UPDATE

DO NOT SCALE DRAWING

APPROVALS: DRAWN R.MARTIN, CHECKED D.L.SAMS, ENGR M.STARKS, RELEASED D.L.SAMS, WFG ENGR D.GRIFFIN, SHOP ENGR, QA B.LITTLE

DATE: 03/25/03, 4/24/03, 4/22/03, 4/22/03, 4/24/03

MOOG
COMPONENTS GROUP

BRUSHLESS D.C. MOTOR

TITLE	BRUSHLESS D.C. MOTOR		
SIZE	CAGE CODE	DWG. NO.	
C	4H618	BN34-45ZP-[] LH	
SCALE	1.5:1		SHEET 1 OF 1